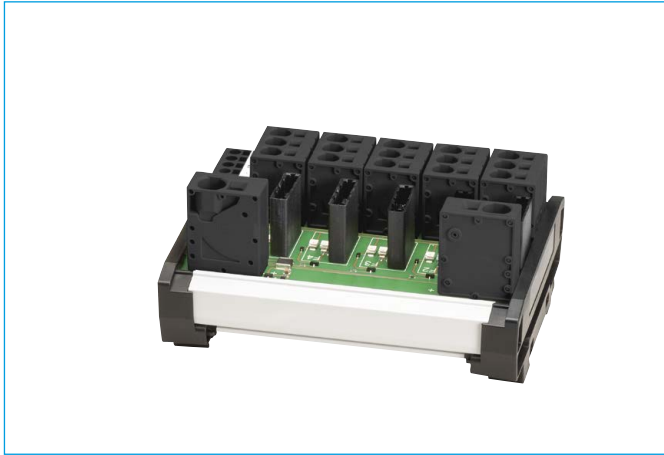


**Description**

The power distribution system has been designed to accommodate plug-in type thermal circuit breakers type 1170-21, 1180 and 1610. It is a printed circuit board module for rail mounting. Typical applications are mainly in control cabinets for utility vehicles and special vehicles and for mobile construction machinery. The current supplied by a power supply is distributed onto 5 ways/ slots. There are two LEDs per circuit breaker. The red LED is lighted when the circuit breaker has tripped. The green LED is lighted when the circuit breaker is in ON condition. Group signalling is generated via the distributor. This signal can be enquired via a potential-free relay. The jumpers allow bridging the signalling for individual circuit breakers if those are not fitted.



**Features**

- Power distribution system for rail mounting
- Voltage ratings DC 12V / DC 24V
- Max. 25A per load channel
- Accommodates a range of circuit breakers
- Signalling via relays and LEDs

**Your benefits**

- Space savings through pcb technology
- Clear status indication of the circuit breakers
- Quick and easy mounting
- Easy and light-weight of cable management

**Preferred types – for more details on all configurations please see order numbering code**

Preferred types are E-T-A products most frequently used by E-T-A customers. We manufacture E-T-A preferred types in particularly high

volumes. Our preferred types are supplied at shorter lead times than non-standard versions.

PBM-1170-05-V0060-B	With signalling (relay), with green and red LED, 24 V DC
PBM-1170-05-V0060-D	With signalling (relay), with green and red LED, 12 V DC

**Information online**

For access to the latest documents please follow: [www.e-t-a.de/e652](http://www.e-t-a.de/e652)

## Preferred types

Preferred types are E-T-A products most frequently used by E-T-A customers. We manufacture E-T-A preferred types in particularly high

volumes. Our preferred types are supplied at shorter lead times than non-standard versions.

PBM-1170-05-V0060-B	With signalling (relay), with green and red LED, 24 V DC
PBM-1170-05-V0060-D	With signalling (relay), with green and red LED, 12 V DC

## Ordering information

<b>Type</b>	
<b>PBM</b>	power distribution
<b>1170</b>	thermal circuit breaker
<b>Version, max. number of circuit breakers on the power distribution system</b>	
<b>05</b>	number of slots
<b>0060 Ausführung</b>	
<b>Signalisation</b>	
<b>A</b>	Version A with signalling, red LED, 24 V DC
<b>B</b>	Version B with signalling, green and red LED, 24 V DC
<b>C</b>	Version C without signalling, without LED 12 V DC / 24 V DC
<b>D</b>	Version D with signalling, green and red LED, 12 V DC
<b>PBM-1170-05-V0060-A</b>	example

## Custom designed versions

Looking for a version you cannot find in our ordering number code? Please get in touch. We will be pleased to find a solution for you.

## Technical Data

Dimensions including circuit breakers	121 x 92.3 x 66.2 bis 94 mm (l x w x h)
Rated voltage:	12 V DC / 24 V DC
Supply:	75 A spring-loaded terminal, a second terminal allows looping through
Load terminals:	5 ways per max. 25 A 3 spring-loaded terminals per way
Group signalling:	changeover contact 0.5 A (12 V DC / DC 24 V) spring-loaded terminals
Temperature range:	-20 ... +70 °C pcb protected against condensation by surface coating

### Derating table

temperature	ambient	60 °C	70 °C
supply	75 A	60 A	50 A
load output	25 A	18.5 A	16 A

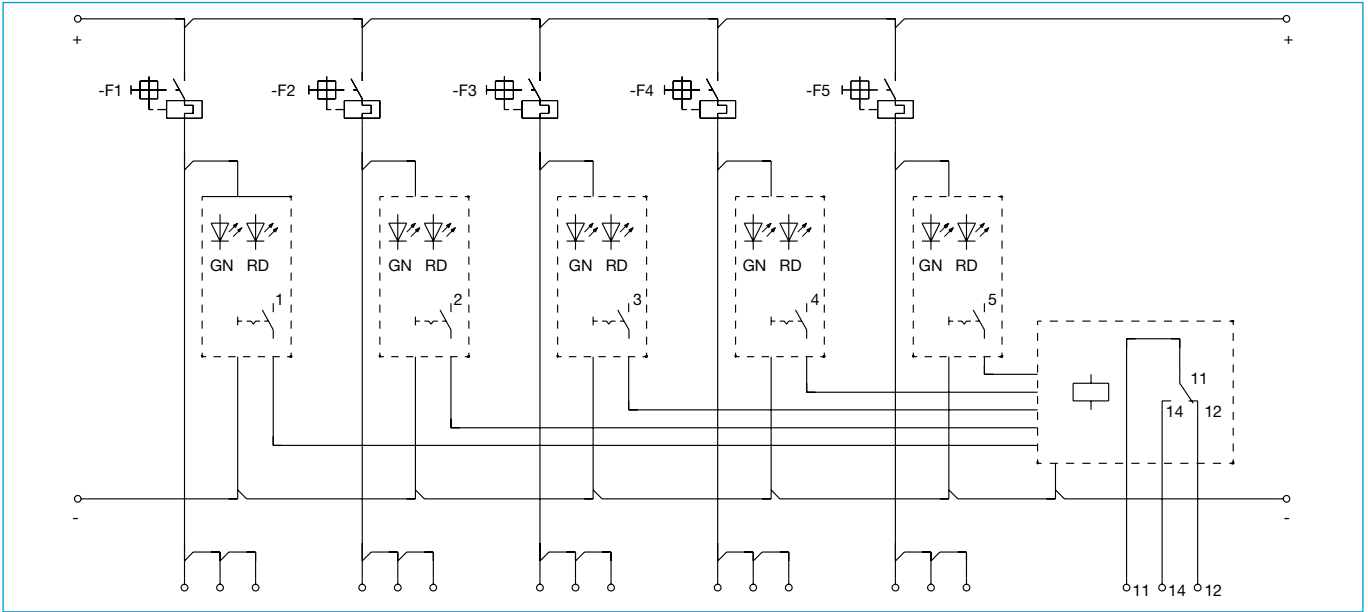
## Note

- The circuit breakers must only be plugged in or removed in the OFF condition.
- The max. supply current of the individual printed circuit boards has to be observed when looping through several distribution modules.
- The LEDs and the signalling require a mass potential (0 V), max. 2 A connected via spring-loaded terminals up to 2.5 mm<sup>2</sup> (1.5 mm<sup>2</sup> with wire end ferrule with plastic collar), a second terminal allows looping through.
- Circuit breakers are not included in delivery.

## Overview of connections (terminals)

Model	terminals	supply terminals	load terminals	signalisation
PBM-1170-05-V0060-A/B/C/D	Federkraft	up to 16 mm <sup>2</sup> (10 mm <sup>2</sup> with wire end ferrule with plastic collar)	up to 6 mm <sup>2</sup> (4 mm <sup>2</sup> with wire end ferrule with plastic collar)	up to 2.5 mm <sup>2</sup> (1.5 mm <sup>2</sup> with wire end ferrule with plastic collar)

Schematic diagram



Dimensions

